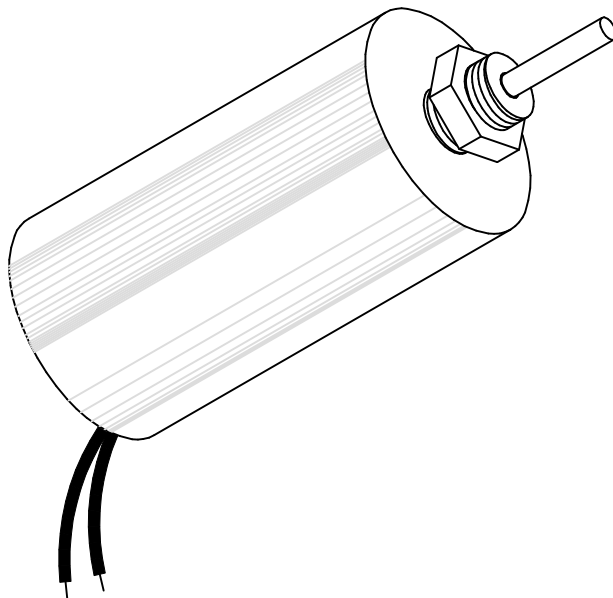


# MAGNETIC SENSOR SYSTEMS

## *Push Type Tubular Solenoid*



**Series S-29-150-HF**  
**1.5" DIA X 2.85"**

TOTAL WEIGHT: 17.5 OUNCES

PLUNGER WEIGHT: 2.8 OUNCES

duty cycle	1	1/2	1/4	1/10
maximum "ON" time, (Sec.)	∞	780	180	70
watts	14	28	56	140
approximate ampere turns	1700	2400	3400	5400

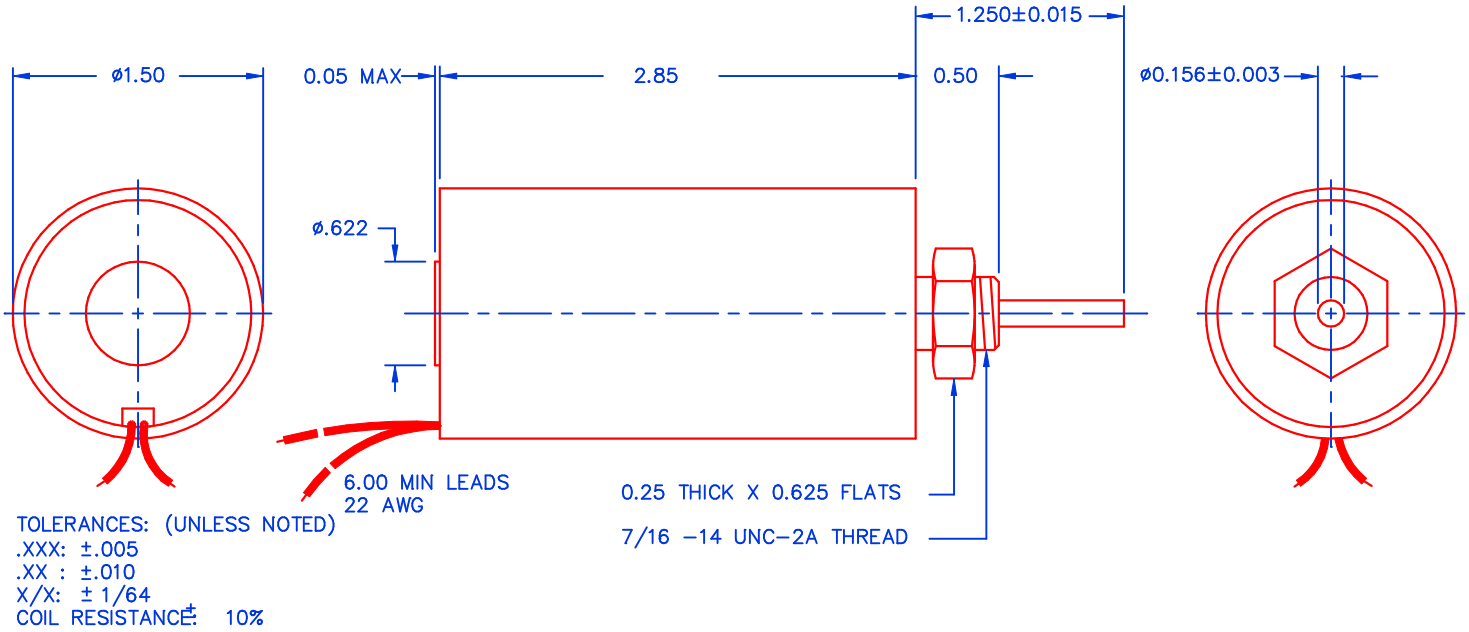
AWG number	resistance	volts DC	volts DC	volts DC	volts DC
20	1.30	4.1	5.8	8.3	13.1
21	2.60	6.2	8.8	12.4	19.7
22	4.10	7.6	10.7	15.1	24.0
23	6.29	9.4	13.3	18.8	29.9
24	10.1	11.9	16.8	23.8	37.7
25	16.5	14.9	21.0	29.8	47.3
26	27.5	19.2	27.1	38.4	61.0
27	41.5	24.1	34.0	48.1	76.4
28	63.4	30.4	42.9	60.8	96.5
29	104	38.3	54.1	76.6	122
30	171	48.2	68.1	96.4	153
31	261	61.2	86.5	123	195
32	412	76.5	108	153	243
33	652	97.5	138	195	310
34	1062	125	177	250	398
35	1701	161	227	322	511
36	2668	198	280	396	629
37	3956	234	330	468	743

HEAT SINK: For proper heat dissipation, body of solenoid should be mounted on an equivalent of 6.0" x 6.0" x 1/8" aluminum plate in an unrestricted flow of air.

# MAGNETIC SENSOR SYSTEMS

S-29-150-HF

## MECHANICAL DIMENSIONS



SOLENOID SHOWN ENERGIZED

## TYPICAL PUSH FORCE VERSUS STROKE

